

USB Cables USB 3.2

Connection cables A male on C male



SPECIFICATION:

Insulation Resistance (Min.): 10 MΩ
 Contact Resistance (Max.): 3 Ω
 Transmission Rate: 10 Gbps

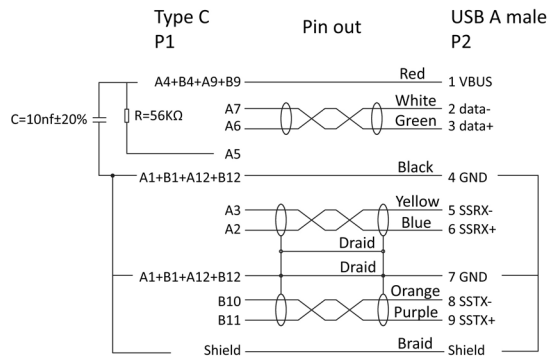
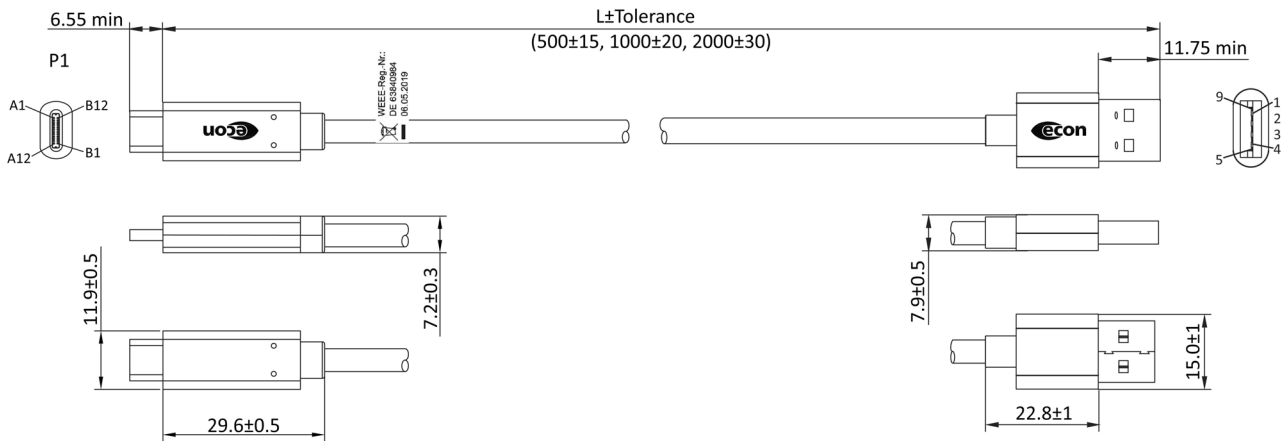
MATERIAL:

Colour: black
 Diameter: 4.2 mm
 Material (Sheath): TPE (thermoplastic elastomer)
 Material (Housing): PVC
 Material (Insulation): PBT
 Material (Contact): gold plated
 Material (Shell): nickel plated
 Cable: (32AWG x 1P+E+AL+Mylar) x 2P + 24AWG x 2C + 32AWG x 1P +AL+D+B



HANDLING:

Packaging: Bag, single-packed
 Note: 100 % open short & miss wire test



Logo white printing



Order Information

Identifier:	Length:	Colour:
U31CA	#	SW
USB 3.2 connection cable USB A male on USB C male	05: 0.5 m	black
	1: 1.0 m	
	2: 2.0 m	