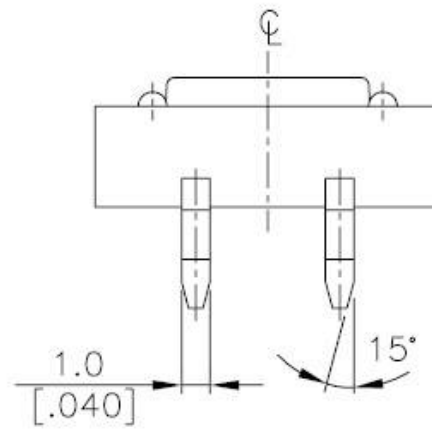
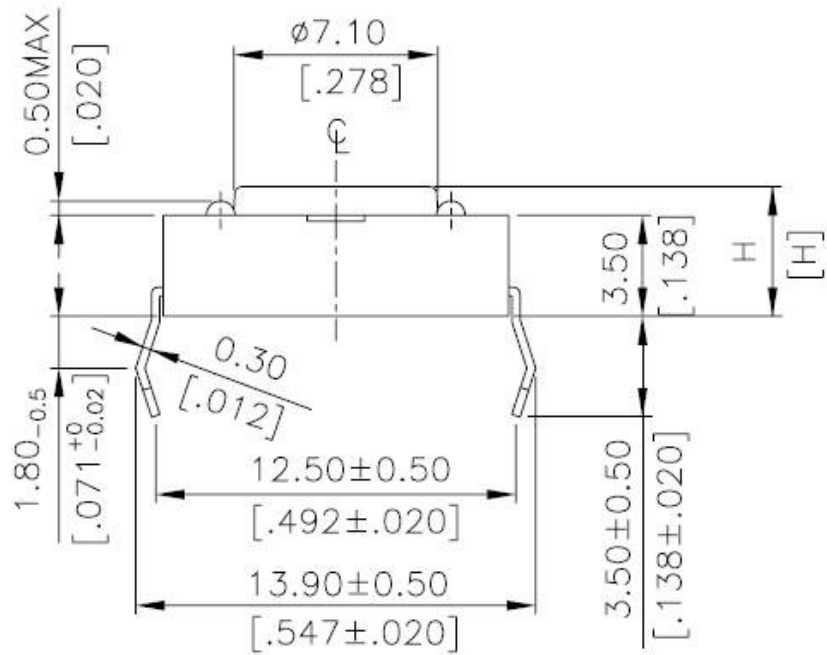


P.C.B. LAYOUT

CIRCUIT DIAGRAM



DTS-25□-	8.5 [.335]
DTS-21□-	4.3 [.169]
PROD. NO.	H