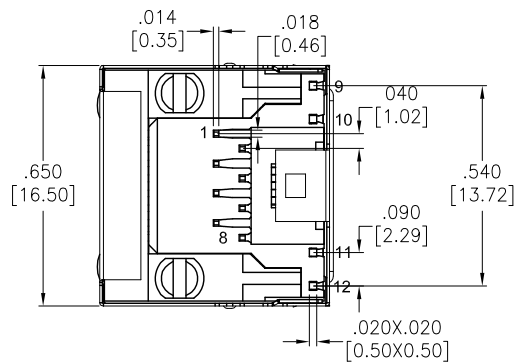
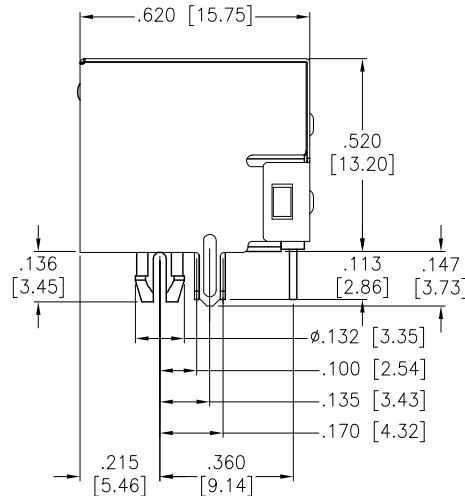
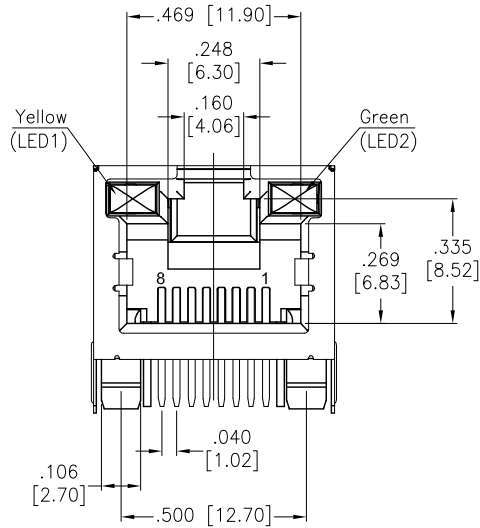
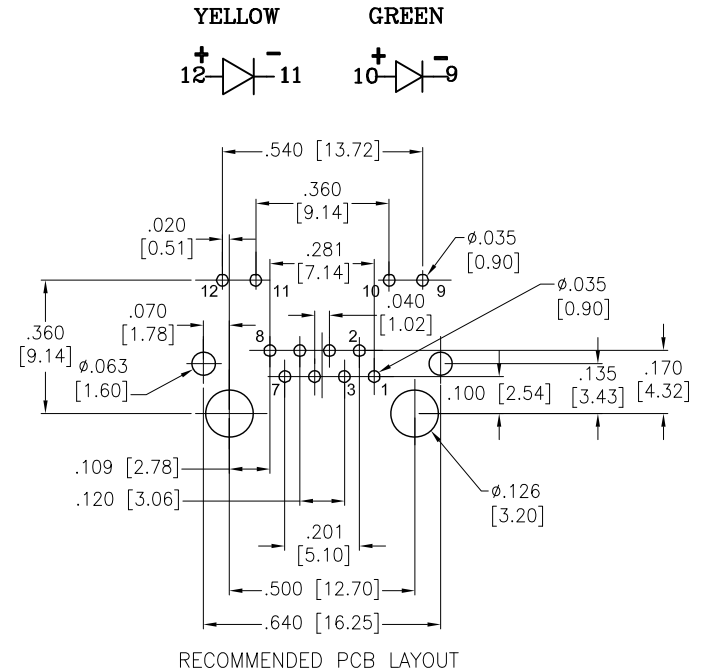


APPROVED: \_\_\_\_\_  
 DATE: \_\_\_\_\_ TITLE: \_\_\_\_\_



Rev	AWO #	Description	Date	Appr
-		Released	4/12/04	
A		Added LED polarization marks	08/31/04	BAS
B		REVISED SHAPE	8/27/08	
C		REDRAWN	11/15/11	
D		UPDATE SHAPE	9/11/14	AY/NP
E		UPDATE SPEC.	3/11/15	AY/CH
F		UPDATE SPEC.	4/13/15	HR/LW
G		UPDATE SPEC.	6/17/16	HR/CH
H		ADDED LED CIRCUIT	1/2/19	HR/AC1



**SPECIFICATIONS:**

**Material:**  
 Insulator: PBT, glass reinforced, rated UL 94V-0  
 Insulator color: Black  
 Contacts: Phosphor Bronze  
 Shield: Brass, Nickel plated  
 Plating:  
 Round contact  
 Gold over Nickel underplate overall  
 Flat contact  
 Gold over Nickel underplate on contact area,  
 Matte Tin over Nickel underplate on solder tails

**Electrical:**  
 Voltage rating: 150 VAC RMS  
 Current rating: 1.5 Amp  
 Contact resistance: 20 mohms max.  
 Insulation resistance: 1,000 Mohms min @ 500 VDC  
 Dielectric withstanding voltage:  
 Contact to Contact: 1,000 VDC/AC Peak for 1 minute  
 Contact to Screen and Test panel: 1,500 VDC/AC Peak for 1 minute

**Temperature Rating:**  
 Operating temperature: -40°C to +85°C  
 Environmental:  
 Lead free, RoHS compliant.



UNLESS OTHERWISE SPECIFIED ALL DIMENSIONS ARE INCHES [MM] TOLERANCES: EXCEPT AS NOTED			
INCHES		HOLES	
.X	± .10	Ø.X	± .10
.XX	± .020	Ø.XX	± .015
.XXX	± .015	Ø.XXX	± .010
APPROVALS		DATE	
DRAWN	SLS	4/12/04	
CHECKED			
APPROVED			

**ADAM TECH INTERCONNECTS**  
 909 Rahway Avenue,  
 Union, NJ 07083  
 Phone: 908-687-5000  
 Fax: 908-687-5710

TITLE  
 MODULAR TELEPHONE JACK, R/A, 8P8C  
 W/ LED1 YELLOW, LED2 GREEN

SIZE X	PART NO. MTJ-88ARX1-FSM-LG	REV. H
REF: S00005C	SCALE: NTS	SHEET 1 OF 1

# Mouser Electronics

Authorized Distributor

Click to View Pricing, Inventory, Delivery & Lifecycle Information:

[Adam Tech:](#)

[MTJ-88ARX1-FSM-LG](#)